

## Foot Rest

### Model: CM-FR112

Desc: Foot rest

Size: 30"x 6"

Thickness: 1.5"

Material: Cast marble

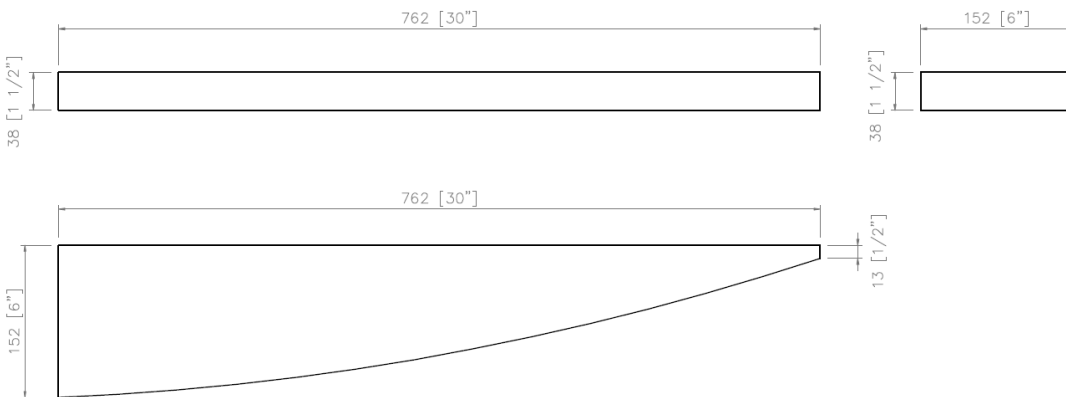
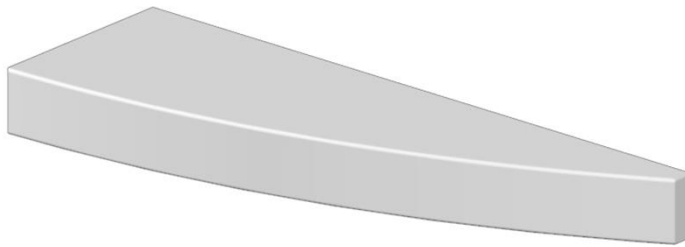
Finish: Gloss or Matt

Brand: NERVAL

Limited Lifetime Warranty

#### Features:

- Foot rest
- Smooth finish
- Sealed surface
- No mold or mildew
- Easy to install



Disclaimer: Nerval makes every effort to provide accurate specification data. However, specification may change without notice. Please visit nerval website to see NERVAL'S TERMS AND CONDITIONS.